

Features

- **Simple, user friendly design**
- **Simple to install**
- **Intuitive to use**
- **2, 4 or 8 Zones**
- **Walk test**
- **Enhanced feature set**
- **Multilingual text inserts**
- **Designed to comply with EN54 part 2 and part 4.**

The Horizon series of conventional control panels has been developed to provide a simple and reliable solution to the demands of today's fire detection solutions.

The Horizon range has been designed with both installer and end users requirements in mind.

For installers, Horizon offers an out of the box and on the wall solution. A combination of quick installation, an enhanced feature set and advanced programming allows installers to quickly and simply meet the demands of the user. Equipped with configurable class change inputs, coincidence detection, programmable delays to allow alarm verification and the facility to interface to larger house alarm systems.

For end users, clear visible indications, easy to operate functions and a big red key to activate the control buttons, make for simple and unambiguous operation.

Engineered and built to the same high standard as all Morley-IAS control panels, the Horizon system forms an essential part of any fire alarm solution.

The Horizon series of conventional control panels has been designed for use in small to medium commercial environments. It is specially suitable for Garages, Retail Units, Shops, Restaurants, Doctor's surgeries, Public Offices, Nursery Schools,...



horizon

2, 4 & 8 Series Conventional Fire Alarm Control Panels Data Sheet



Mechanical

Dimensions

318 x 356 x 96 mm (h x w x d)

Weight

2 Kg (approx, no batteries fitted)

Construction

Fire retardant, ABS plastic moulded enclosure, sealed to IP30.

Cable entry

18 x 20mm knockouts in top of enclosure.
25 x 50 mm knockout in rear of enclosure.

Operating Temperature

+5°C to +45°C

Relative Humidity

5% to 95% non condensing.

Electrical

Operating voltage

230 Vac 50/60 Hz ($\pm 15\%$)

Internal Power supply:

Output voltage +18.5 to +28.5 Vdc
Output Current 1.8 Amps maximum
Maximum Alarm load: 1 Amp

Standby Batteries

Minimum capacity 2 x 12 V 2.8Ah
Maximum capacity 2 x 12 V 7 Ah

Standby Battery type

Sealed lead acid.

Detection circuits

2, 4 or 8 detection circuits.
2 mA per circuit (typically >20 detectors).

Approved detectors

Apollo Series 60 wide voltage, Series 65 & Orbis.
Morley-IAS Horizon HRZ Series
System Sensor ECO1000, Series 300 & Vision.

Digital Inputs

2 configurable inputs (Class Change, Alert, Evacuate, Reset).

Digital Input trigger

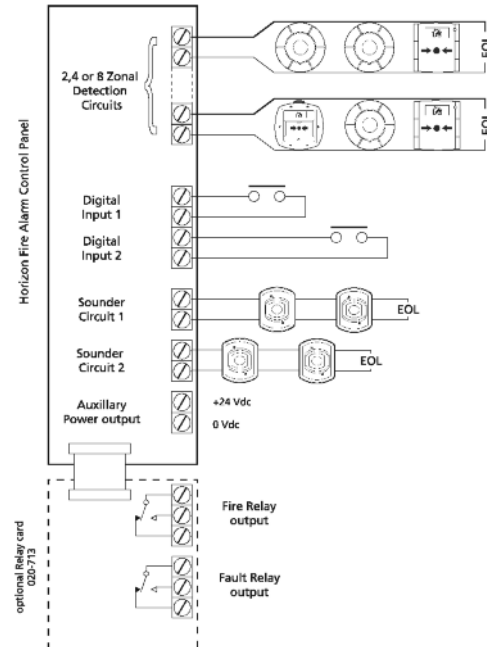
Extended Closing contact.

External outputs

Sounder outputs: 2 monitored outputs.
0.5 Amps per circuit.

Auxiliary output: +18.5 to +28.5 Vdc, 0.5 Amp. (max)

Optional Relay card: 1 x Fire relay (changeover contacts rating 30Vdc, 1 Amp).
1 x Fault relay (changeover contacts rating 30Vdc, 1 Amp).



Part Numbers

002-492-222 Horizon HRZ 2e zone fire alarm control panel.

002-492-242 Horizon HRZ 4e zone fire alarm control panel.

002-492-282 Horizon HRZ 8e zone fire alarm control panel.

020-713 Horizon relay kit. (Fire & Fault relays).

Fire System Compatibility

Morley-IAS is fully committed to offering practical solutions and supporting products that enhance your buildings control systems.

Other Supporting Products Include

- Morley-IAS Intelligent Public Address and Voice Alarm Equipment
- Morley-IAS ZX range of networkable analogue addressable Fire Alarm Panels
- Morley-IAS Dimension Analogue Addressable Panels
- Morley-IAS Horizon Conventional Panels
- Morley-IAS Extinguishing Panels

For further details on these or any other Morley-IAS product please contact your local distribution point, Morley-IAS Regional Sales Manager or via our contact details.

Morley-IAS by Honeywell a real choice for fire solutions, committed to supporting our device partners.



Charles Avenue
Burgess Hill
West Sussex
RH15 9UF UK

T: +44 (0) 1444 23 55 56
F: +44 (0) 1444 25 44 10
E: sales@morleyias.co.uk
www.morley-ias.co.uk



Features

- **Simple, user friendly design**
- **Simple to install**
- **Intuitive to use**
- **2, 4 or 8 Zones**
- **Walk test**
- **Enhanced feature set**
- **Multilingual text inserts**
- **Designed to comply with EN54 part 2 and part 4.**

The Horizon series of conventional control panels has been developed to provide a simple and reliable solution to the demands of today's fire detection solutions.

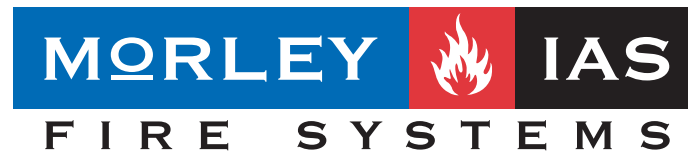
The Horizon range has been designed with both installer and end users requirements in mind.

For installers, Horizon offers an out of the box and on the wall solution. A combination of quick installation, an enhanced feature set and advanced programming allows installers to quickly and simply meet the demands of the user. Equipped with configurable class change inputs, coincidence detection, programmable delays to allow alarm verification and the facility to interface to larger house alarm systems.

For end users, clear visible indications, easy to operate functions and a big red key to activate the control buttons, make for simple and unambiguous operation.

Engineered and built to the same high standard as all Morley-IAS control panels, the Horizon system forms an essential part of any fire alarm solution.

The Horizon series of conventional control panels has been designed for use in small to medium commercial environments. It is specially suitable for Garages, Retail Units, Shops, Restaurants, Doctor's surgeries, Public Offices, Nursery Schools,...



by Honeywell

Horizon 2, 4 & 8 Series Conventional Fire Alarm Control Panels Data Sheet

